

## AE 100.303.010.L Accelerometer for 3 Axes

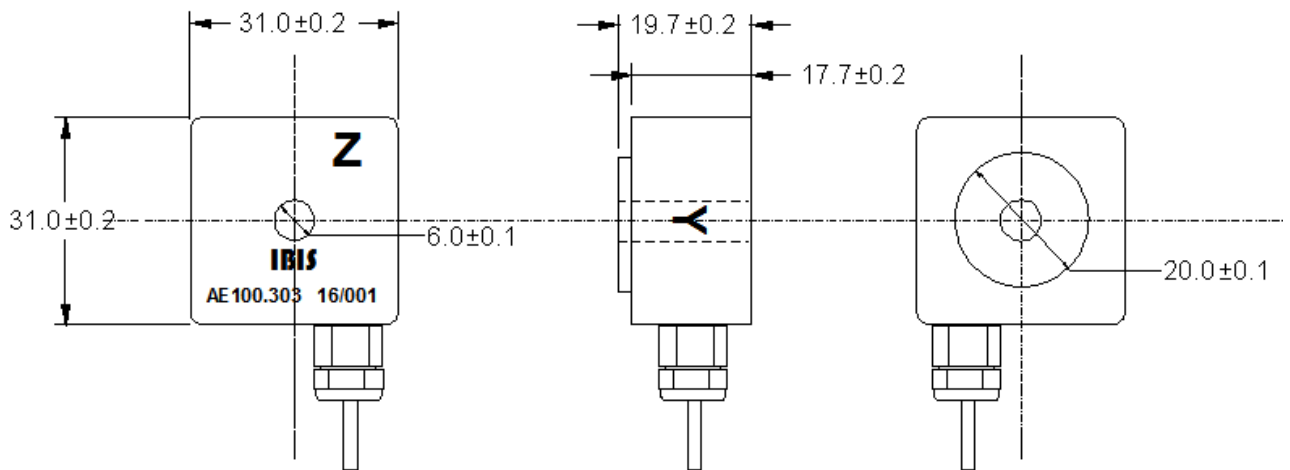


- Accelerometer for vibration and roller bearing condition measurements in 3 axes
- Heavy duty design for use in harsh environments, such as in contact with cooling liquid
- Integral cable for protection against moisture
- PUR cable isolation
- 4-wire cable with separate shield
- Aluminium-body

### Specification:

Sensor type	piezoelectric accelerometer (PZT/Shear)
Sensitivity	100 mV/g +/-10%
Resolution	0,001 g
Acceleration range	max.50 g
Shock Limit	max 5000 g
Frequency range	0,5 - 10.000 Hz +/-3 dB (5.000 - 50.000 Hz for Spike-Energy-Measurement)
Resonant Frequency, mounted	> 25 kHz
Power Requirements (IEPE)	Constant current 2 -10 mA; +18 to 28 V DC for each axis
Temperature Range	-40...+120°C
Housing Material	Aluminium
Dimensions	See drawing
Mounting	1 Screw M6
Weight	approx. 40 gramms (without cable)
Shipping weight	approx. 100 gramms (with 2.5 m cable)
Cable	4-wire, shielded, PUR isolation, wire dimension 0,14 mm <sup>2</sup> outer diameter approx. 4,5 mm
Standard-Cable Length / Order No.	AE100.303.010.L approx 1 meter, cable end connector Lemo 1T304 (Male)

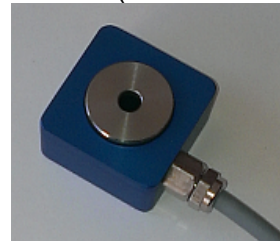
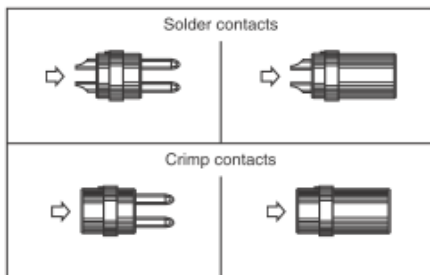
**Dimensions:**



**Connector pin assignment:**

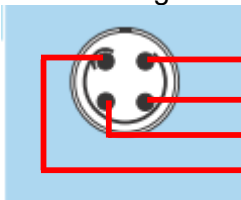
Stecker/Plug Buchse/Socket

Mounting with washer on lower side (bottom view):



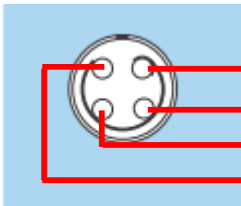
Ansicht von Kabelseite!  
View from cable side

Stecker/Plug:



- Signal X (grün / green)
- Signal Y (gelb / Yellow)
- Signal Z (weiss / white)
- Masse / Ground (braun / brown)
- Schirm auf Steckergehäuse
- Shield connected to plug housing

Buchse/Socket:



- Masse / Ground (braun / brown)
- Signal Z (weiss / white)
- Signal Y (gelb / Yellow)
- Signal X (grün / green)
- Schirm auf Steckergehäuse
- Shield connected to plug housing

**Scope of delivery:**

- Sensor with mounted connector
- Mounting screw M6
- Stainless steel washer
- Spec sheet
- Calibration protokoll

**IBIS GmbH**

Reinheimer Str. 17  
64846 Gross-Zimmern  
Germany

Tel: +49 6071/42222  
Fax: +49 6071/71707

www.ibis-gmbh.de  
Email: info@ibis-gmbh.de