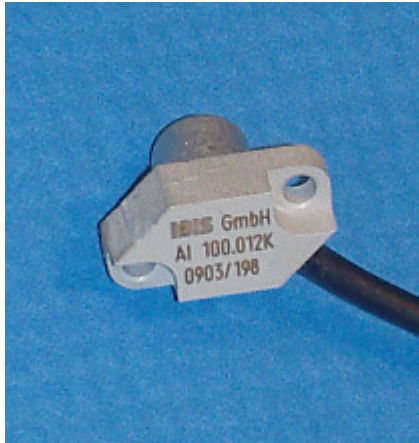


AI 100.012. Accelerometer



- Accelerometer for vibration and roller bearing condition measurements
- Heavy duty design for use in harsh environments, such as in contact with cooling liquid
- Integral cable for protection against moisture
- PUR cable isolation
- Stainless steel / Nylon housing

Specifications:

Sensor type	piezoelectric accelerometer (PZT/Shear)
Sensitivity	100 mV/g +/-10%
Resolution	0,001 g
Acceleration range	max.50 g
Shock Limit	max 5000 g
Frequency range	0,5 - 10.000 Hz +/-3 dB (5.000 - 50.000 Hz for Bearing Condition)
Resonant Frequency, mounted	> 25 kHz
Power Requirements	Constant current 2 -10 mA; +18 to 28 V DC (ICP™)
Temperature Range	-40...+80°C
Housing Material	Stainless Steel
Dimensions	See drawing
Mounting	with 2 M2.5 screws fastening torque 0.5 Nm, with washers 0.75 Nm
Weight	approx. 12 gramms (excluding cable)
Shipping weight	approx. 50 gramms (with 3 m cable)
Cable	Shielded 3 wire, PUR jacketed, outer diameter: approx. 2.7 mm white: signal; brown: ground; Shield isolated from sensor housing
Standard cable length.	Approx. 3 meters: AI100.012.030

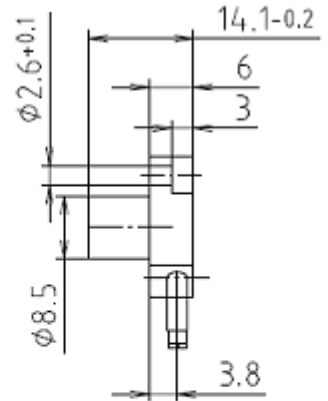
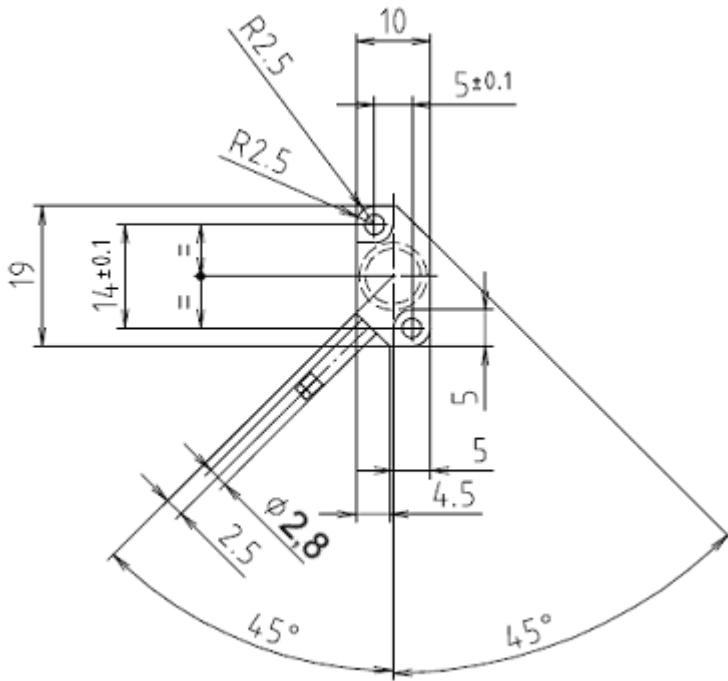
IBIS GmbH

Reinheimer Str. 17
D-64846 Gross-Zimmern
Germany

Tel: +49 6071/42222
Fax: +49 6071/71707

www.ibis-gmbh.de
Email: info@ibis-gmbh.de

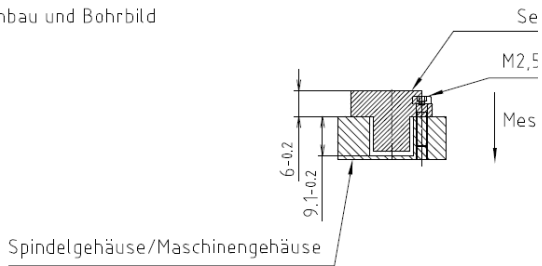
Dimensions and recommended mounting arrangement



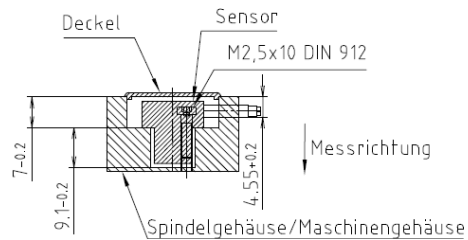
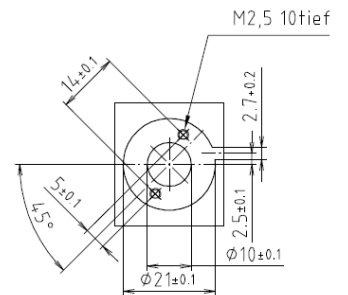
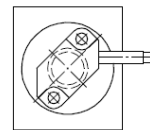
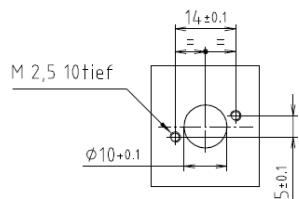
open mounting:

covered mounting:

Einbau und Bohrbild



Spindelgehäuse/Maschinengehäuse



(Sketches are not to scale)

Cable colours:

white: Signal, brown: Ground, shield: open on sensor side