

AI 100.021. Accelerometer



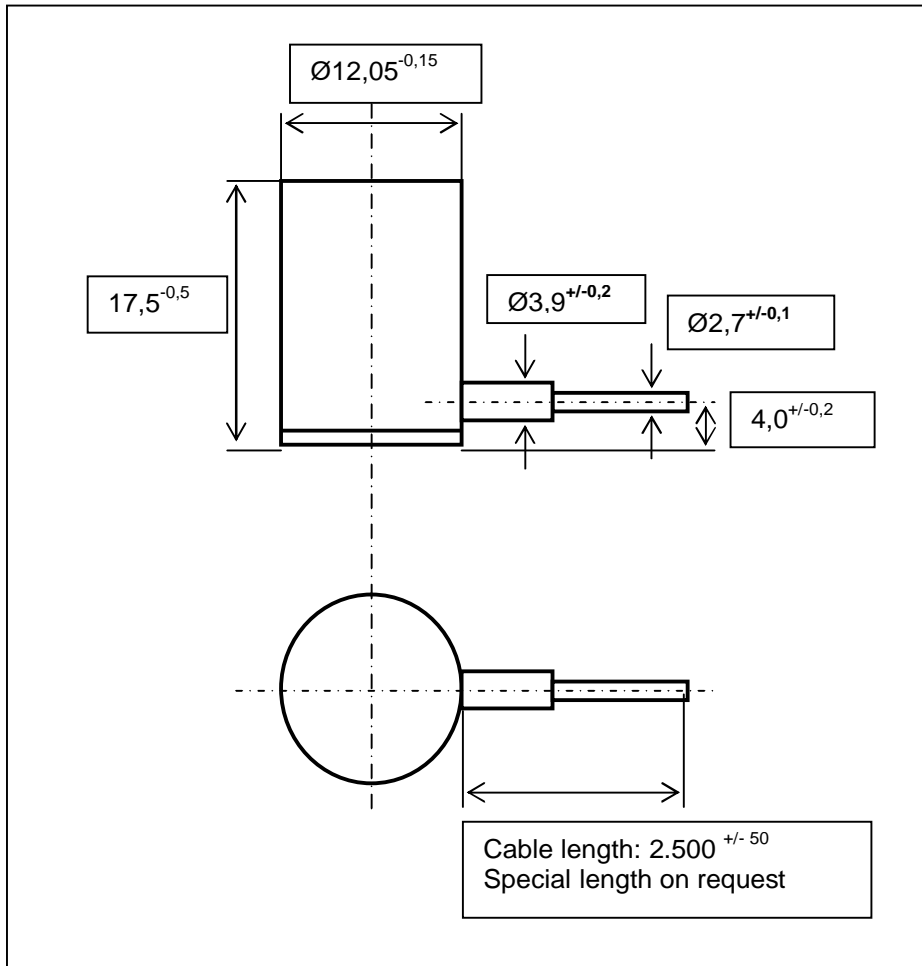
- Accelerometer for vibration and roller bearing condition measurements
- Heavy duty design for use in harsh environments, such as in contact with cooling liquid
- Integral cable for protection against moisture
- PUR cable isolation
- Stainless steel housing

Specifications:

Sensor type	piezoelectric accelerometer (PZT/Shear)
Sensitivity	100 mV/g +/-10%
Resolution	0,001 g
Acceleration range	max.50 g
Shock Limit	max 5000 g
Frequency range	0,5 - 10.000 Hz +/-3 dB (5.000 - 50.000 Hz for Bearing Condition)
Resonant Frequency, mounted	> 25 kHz
Power Requirements	Constant current 2 -10 mA; +18 to 28 V DC
Temperature Range	-40...+120°C
Housing Material	Stainless Steel
Dimensions	Ø approx. 12 mm approx. 17,5 mm high
Mounting	Clamp mounting in hole or glue mounting
Weight	approx. 12 gramms (excluding cable)
Shipping weight	approx. 45 gramms (with 2.5 m cable)
Cable	Shielded 2 wire, PUR jacketed, outer diameter: approx. 2.7 mm White: Signal Brown: Ground Shield: Shield
Standard cable length.	Approx. 2.5 meters: AI100.021.025 other lengths on request

AI 100.021. Accelerometer

Dimensions:



Frequency Response (typical):

